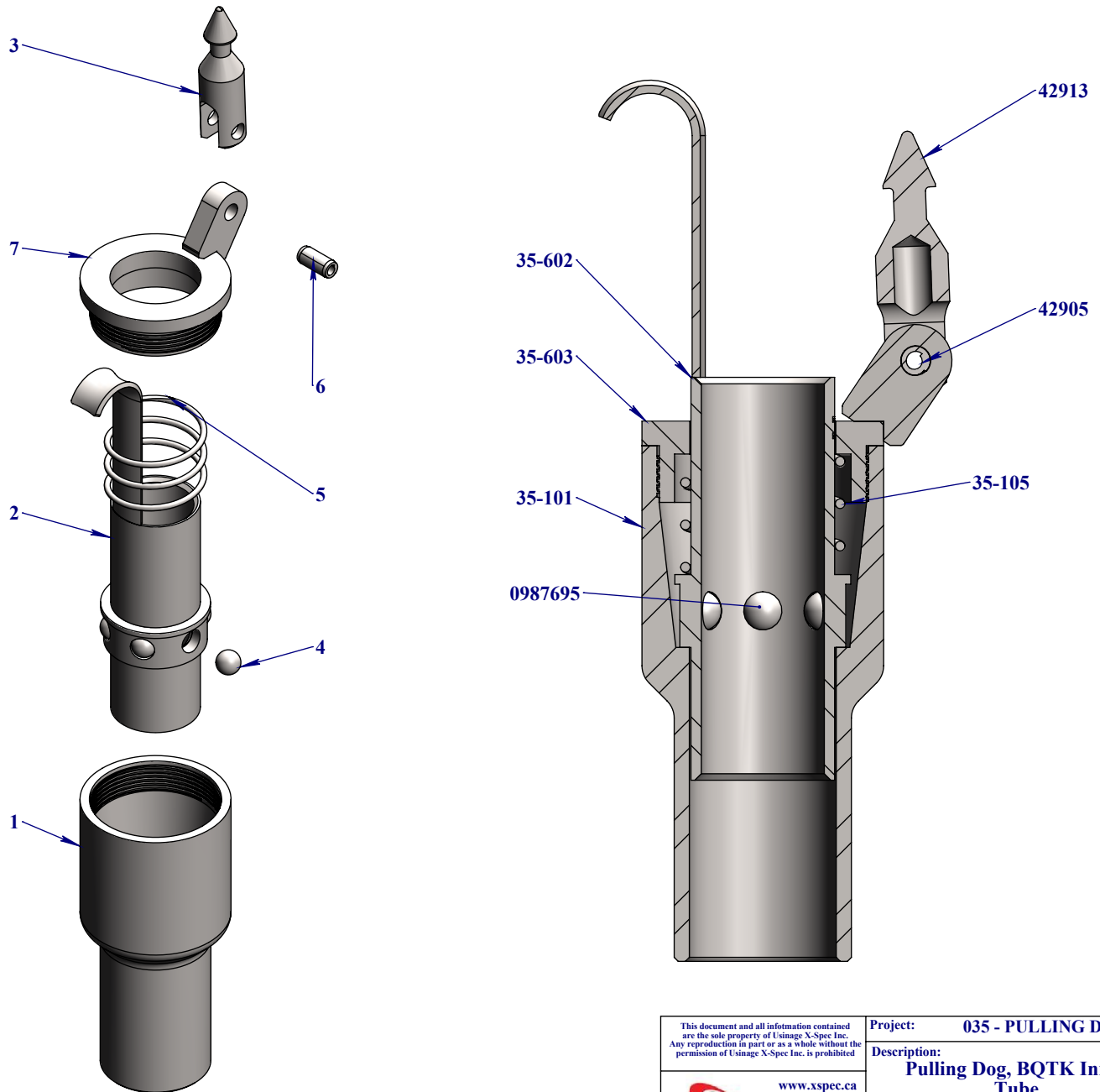



| Item # | Part # | Description | Unit Weight |
|--------|--------|------------------------------|-------------|
| 1-7 | 35-600 | Pulling Dog, BQTK Inner Tube | 11.605 |

| Item # | Part Number | Description | Qty | Unit Weight |
|--------|-------------|---------------------------------------|-----|-------------|
| 1 | 35-101 | Pulling Dog Body, BQTK | 1 | 6.863 |
| 2 | 35-602 | Inner Tube, BQTK | 1 | 2.289 |
| 3 | 42913 | Spearhead Point | 1 | 0.420 |
| 4 | 0987695 | 5/8" Chrome Steel Ball | 6 | 0.036 |
| 5 | 35-105 | Compression Spring, Pulling Dog, BQTK | 1 | 0.105 |
| 6 | 42905 | Spirol Spin 7/16" X 1" | 1 | 0.031 |
| 7 | 35-603 | Cap, Pulling Dog, BQTK | 1 | 1.677 |



| | | |
|---|---|------------------------------|
| <small>This document and all information contained are the sole property of Usage X-Spec Inc. Any reproduction in part or as a whole without the permission of Usage X-Spec Inc. is prohibited.</small> www.xspec.ca  | Project: 035 - PULLING DOG | |
| | Description: Pulling Dog, BQTK Inner Tube 35-600 | |
| Weight | 11.605 lbs | Version 2019-06-27 |
| Filename: A7617.sldrw | | |