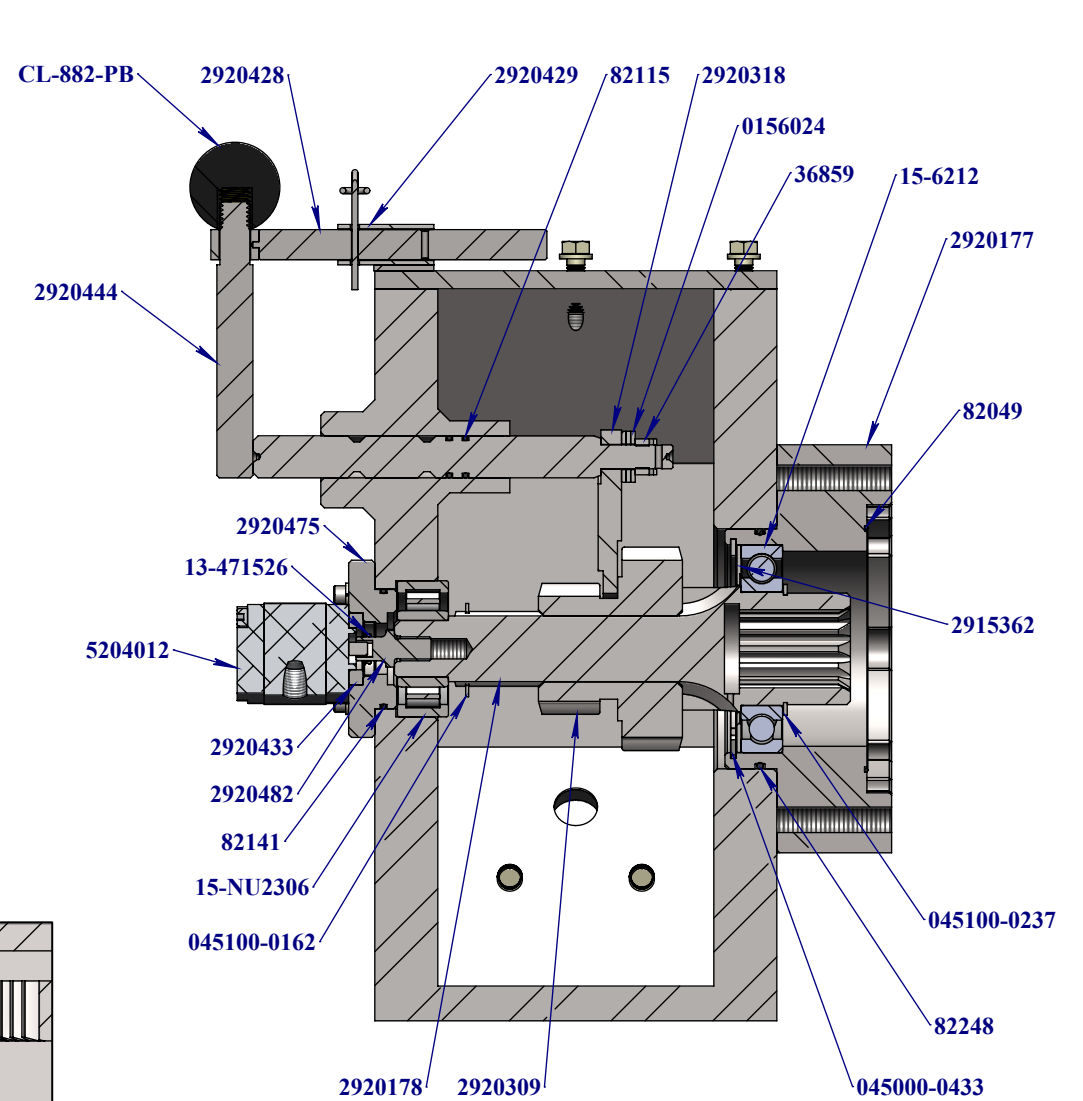



Part Number 2920190-BRG includes all bearings
 Part Number 2910190-SO contains all seals and orings



REVISIONS				
ZONE	REV.	DESCRIPTION	DATE	APPROVED
SI NON SPECIFIÉ LES DIMENSIONS SONT EN POUÇES ET LES TOLÉRANCES: FRACTIONS DECIMALES ANGLES ± 1/16" .XX ± 0.05 ± 1deg .XXX ± 0.005		CE DOCUMENT ET TOUTES LES INFORMATIONS QU'IL CONTIENT SONT LE PROPRIÉTÉ DE USINAGE X-SPEC INC. TOUTE REPRODUCTION EN TOTALITÉ OU PARTIELLE EST INTERDITE SANS L'AUTORISATION DE USINAGE X-SPEC INC.		PROJET: DESCRIPTION: B20 Head
 www.xspec.ca		DESSINÉ PAR: Pascal Dufour	2024-08-17	2920190
Poids/Weight		484.773 lbs		SIZE # DE DESSIN: C7085
ÉCHELLE: 1:4		NOM DU FICHIER: C7438.slddrw		FEUILLE 1 DE 2

Item #	Part Number	Description	Qty	Boyles #	Mirow #
1	13-54931	Oil Seal	1	5040292	18100352
2	13-417254	Oil Seal	2	5040235	18100351
3	13-471526	Oil Seal	1	5040225	18100361
4	15-792-795	Tapered Roller Bearing	2	5010171	18100349
5	15-6212	Deep Groove Ball Bearing	1	5000179	18100356
6	15-NU2306	Cylindrical Roller Bearing	1	5010170	18100354
7	55-0045	Housing Bushing	2	5020126	18100336
8	2915362	Bearing Shield	1	2915362	18100255
9	246-102	1" NPT, Square Head Magnetic Plug	2	5200148	MPSQH340
10	15003	1/4-20 x 3/4" Grade 8 Yellow Zinc Finish Hex Cap Screw	2		HHCS140200345
11	15107	3/8-16 x 1-1/4" Grade 8 Yellow Zinc Finish Hex Cap Screw	12	5103803	HHCS380161145
12	15209	1/2-13 x 1-1/2" Grade 8 Yellow Zinc Finish Hex Cap Screw	20	5115003	HHCS120131125
13	23203	1/4-20 x 3/4" ASTM A574 Hex Drive Black Oxide Finish Alloy Steel Socket Cap Screw	2		SHCS14020034
14	23205	1/4-20 x 1" ASTM A574 Hex Drive Black Oxide Finish Alloy Steel Socket Cap Screw	4		SHCS14020100
15	23257	5/16-18 x 1-1/4" ASTM A574 Hex Drive Black Oxide Finish Alloy Steel Socket Cap Screw	3		
16	23410	1/2-13 x 1-3/4" ASTM A574 Hex Drive Black Oxide Finish Alloy Steel Socket Cap Screw	5	5115116	SHCS12013134
17	23820	5/16-24 x 1" ASTM A574 Hex Drive Black Oxide Finish Alloy Steel Socket Cap Screw	3		
18	36859	1/2-20 Plain Finish Steel Slotted Hex Nut	1	5172408	NUTSC12020
19	045000-0433	Internal Retaining Ring	1	5050433	18100360
20	045100-0162	External Retaining Ring	1	5051162	18100355
21	045100-0237	External Retaining Ring	1	5051237	18100358
22	58831	1/8-27 Straight Steel Zinc Self-Tapping Grease fitting	1	5200816	GF18NPTS
23	66532	3/4" NPT, 90° 150 lb Galvanized Malleable Iron Street Pipe Elbow	1	5201004	STELBOW340
24	66666	3/4" M-NPT x 1/8" F-NPT 300 lb Galvanized Merchant Steel Hex Bushing	1	5201252	REDNPT340180
25	66671	1/4" M-NPT 300 lb Zinc Merchant Steel Square Solid Pipe Plug	2		
26	66675	1" M-NPT 300 lb Zinc Merchant Steel Square Solid Pipe Plug	1		
27	82049	O-Ring	1	5030049	18100382
28	82115	O-Ring	2	5030713	18100359
29	82141	O-Ring	1	5030141	18100353
30	82246	O-Ring	2	5030246	18100323
31	82248	O-Ring	1	5030248	18100357
32	82270	O-Ring	2	5030270	18100350
33	94132	1/8" NPTF Steel Socket Head Pipe Plug 3/4" Taper Dryseal	6		
34	0156024	1/2" ASTM F436 Thru-Hardened Steel Flat Washer	3		WASHERHD12011
35	0169563	1/2-13 SAE J995 Grade 5 Yellow Zinc Finish Steel Jam Nut	4	5172408	NUTHJ12013
36	300805	Air Breather, 1/8 NPT	1	7500346	18100173
37	0987689	7/16" Chrome Steel Ball	1	5200012	BALLS716
38	1133618	1/4 Zinc Finish Medium Split Lock Washer	8		WASHERLKH140B
39	1133622	3/8 Zinc Finish Medium Split Lock Washer	12	5180506	WASHERLK380
40	1133626	1/2 Zinc Finish Medium Split Lock Washer	20	5180508	WASHERLK120
41	2915312	Lower Clamp Ring	1	2915312	18100296
42	2915452	Upper Clamp Ring	1	2915452	18100310
43	2920177	Motor Adapter	1	2920177	18100244
44	2920178	Input Drive Shaft	1	2915459	18100272
45	2920302	Spindle, B20	1	2920302	18100002
46	2920305	Drive Sleeve	1	2920305	18100230
47	2920306	Upper Bearing Retainer	1	2920306	18100236
48	2920309	Primary Gear	1	2920309	18100240
49	2920314	Key, Short	6	2920314	18100233
50	2920316	Spindle Bushing Retainer	1	2920316	18100239

Item #	Part Number	Description	Qty	Boyles #	Mirow #
51	2920318	Shifter Yoke	1	2920318	18100115
52	2920319	Drive Sleeve Key	3	2920319	18100231
53	2920329	Thrust Washer	2	2920329	18100234
54	2920335	Shim Pack	1	2920335	18100235
55	2920426	1/2-13 x 4-1/2" Modified Hex Cap Screw	4	2920426	18100253
56	2920428	Shift Lever Guide	1	2920428	18100256
57	2920429	Shifter Lever Bracket	1	2920429	18100249
58	2920430	Hitch Pin Clip Assembly	1	2920430	18100257
59	2920433	Bushing Spacer, Lube Pump	1	2920433	18100254
60	2920441	Housing Cover	1	2920441	18100245
61	2920443	Drillhead Housing	1	2920443	18100228
62	2920444	Shifter Rod	1	2915365	18100300
63	2920475	Mounting Adapter, Lube Pump	1	2920475	18100271
64	2920482	Drive Tip	1	2920482	18100243
65	2920792	Filter Bracket	1	2920792	18100246
66	2920940	Lower Bearing Retainer, B20	1	2920940	18100237
67	2920942	Drive Sleeve Gear, 96T	1	2920942	18100232
68	2920943	Drive Sleeve Gear, 108T	1	2920943	18100229
69	3506006	Spindle Nut	1	3506006	18100161
70	3506009	Spindle Lock Nut	1	3506009	18100162
71	5204012	Lube Pump	1	5204012	18100281
72	8265051	Spring Retainer	1	8265051	18100248
73	8265052	Compression Spring	1	8265052	18100247
74	CL-882-PB	Ball Knob	1		BALLKNOB
75	SAF-07-B1.7-1-SF-6520	Oil Filter Assembly	1		18100307